

# Wall mounted receptacle DUO

Part Number.: 5604406G



## MENNEKES

Elektrotechnik GmbH & Co. KG  
Aloys-Mennekes-Straße 1  
57399 KIRCHHUNDEM GERMANY  
[www.MENNEKES.org](http://www.MENNEKES.org)

# Product Description

- Screw terminals
- Pre-wired for installation
- X-CONTACT®
- Switched
- Mechanical DUO interlock
- 3 pole switch
- Sockets can be padlocked

# Technical Details

| Wall mounted receptacle - DUO | 5604406G              |
|-------------------------------|-----------------------|
| Product series                | DUO                   |
| Switch Disconnecter           | Yes                   |
| Ampere                        | 32 A                  |
| Number of Poles               | 4 P                   |
| Clock position                | 6 h                   |
| Voltage                       | 400 V                 |
| Hertz                         | 50-60 Hz              |
| Current Type                  | AC                    |
| Switch Type                   | 3P + N + PE           |
| Protection Type               | IP67                  |
| Impact resistance             | IK08                  |
| Contact carrier               | X-CONTACT®            |
| Pilot contact                 | Without pilot contact |
| Connection                    | Screw-terminals       |
| LED voltage indicator         | No                    |

|                             |  |
|-----------------------------|--|
| Padlocked                   | Yes  |
| Mounting method             | Wall mounted   |
| Cable entry                 | Top & Bottom<br>2 x M25 top or bottom closed<br>1 x M25 and 1 x M32 top or bottom closed |
| Weight (net)                | 1311 g   |
| EAN / identification number | 4015394297635  |

**Permissible ambient conditions**

|   |              |
|---|--------------|
| Permanent ambient temperature min. - max. | -25 - +40 °C |
|---|--------------|

**Material properties**

|                             |  |
|-----------------------------|--|
| Hinged lid                  | PA6/TPE<br>similar RAL 3013 red<br>similar RAL 7016 anthracite |
| Upper enclosure part        | PC/ASA<br>similar RAL 7035 grey                                |
| Enclosure base              | PC/ASA<br>similar RAL 9005 deep black                          |
| Rotary Switch               | PC/ASA<br>similar RAL 7035 grey                                |
| Material of exterior screws | PA6<br>similar RAL 9005 deep black                             |

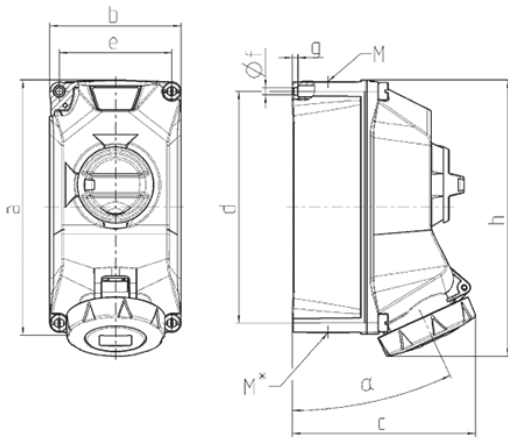
**Material resistance**

The material resistance overview can be found on the website in the "Knowledge" section → "Product knowledge" → "Materials"

**Regulations and Standards**

|                                       |   |
|---------------------------------------|---|
| REACH (Regulation (EG) No. 1907/2006) | Information according to article 33 REACH:<br>SVHC: Lead (CAS: 7439-92-1) |
| RoHS 2011/65/EU incl. 2015/863/EU     | ✓   |
| POP Regulation (EU) 2019/1021         | ✓   |
| Norm(s)                               | IEC 60309-4   |
| Declaration of conformity             | CE, UKCA  |
| Test mark                             | VDE, EAC  |

# Dimensional drawing



| Drawing<br>1 MB 714 | Amp.<br>Poles   | 16            |      |      | 32            |      |      |
|---------------------|---|---------------|------|------|---------------|------|------|
|                     |   | 3             | 4    | 5    | 3             | 4    | 5    |
| Dim. in mm          | a   | 225           | 225  | 225  | 225           | 225  | 225  |
|                     | b   | 118           | 118  | 118  | 118           | 118  | 118  |
|                     | c   | 163           | 163  | 165  | 168           | 168  | 169  |
|                     | d   | 208           | 208  | 208  | 208           | 208  | 208  |
|                     | e   | 101           | 101  | 101  | 101           | 101  | 101  |
|                     | f   | 6.4           | 6.4  | 6.4  | 6.4           | 6.4  | 6.4  |
|                     | g   | 5             | 5    | 5    | 5             | 5    | 5    |
|                     | h   | 241           | 245  | 249  | 252           | 252  | 255  |
|                     | α   | 25            |      |      | 25            |      |      |
|                     | M   | 1x25 and 1x32 |      |      | 1x25 and 1x32 |      |      |
|                     | M*  | 2x25          | 2x25 | 2x25 | 2x25          | 2x25 | 2x25 |
|                     | Max. cable diam. (mm)   | 25            | 25   | 25   | 25            | 25   | 25   |
|                     | Terminal for cond. cross section (mm <sup>2</sup> ) min.-max. | 2.5           | 2.5  | 2.5  | 2.5           | 2.5  | 2.5  |
|                     |   | -10           | -10  | -10  | -10           | -10  | -10  |